



## Acacia Garden 3-Seater Bench Instruction Manual



After Sales Support

Call 0871 911 7031

Email

[customerservice@gardengearonline.co.uk](mailto:customerservice@gardengearonline.co.uk)

Product Code G4030

Thank you for purchasing this product, which has been made to demanding high quality standards and is guaranteed for domestic use against manufacturing faults for a period of 12 months from date of purchase

**For correct usage, please read these instructions carefully before use and keep in a safe place for future reference.**



## INTRODUCTION

### Congratulations

You have made an excellent choice with the purchase of this quality Garden Gear product.

By doing so you now have the assurance and peace of mind which comes from purchasing a product that has been manufactured to the highest standards, performance and safety.

We want you to be completely satisfied with your purchase, so this Garden Gear product is backed by our full 12 month manufacturers guarantee and an outstanding after sales service through our dedicated Helpline.

Register your product for an extended 2-year warranty by visiting our website [www.gardengearonline.co.uk](http://www.gardengearonline.co.uk). The product must be registered, along with your contact information, within 30 days of purchase. For full terms and conditions please visit our website.

We hope you enjoy using your purchase for many years to come.

## General information and safety warnings

- Remove all packaging and make sure that the product is intact. Do not leave packaging materials like bags and staples within the reach of children and pets.
- Read through these instructions fully before using the product, it contains important information and must be retained for future reference. Read carefully.
- For outdoor use only.
- Do not stand on the bench.
- Always use on a level surface.
- The total maximum user weight for this product is 390kg.
- Do not let children play on this furniture.
- Do not sit on the back of the bench.
- Always store away the furniture if adverse weather is forecast.
- Never drag the furniture. Always lift and move evenly between 2 people.
- Not suitable for commercial purposes.




## Care and maintenance

- Spot clean with a soft, damp cloth as needed.
- Do not use bleach or any harsh abrasive products to clean the furniture.
- Store the bench away during adverse weather.
- The bench has a natural oil finish, we recommend treating the wood annually to maintain its premium condition.

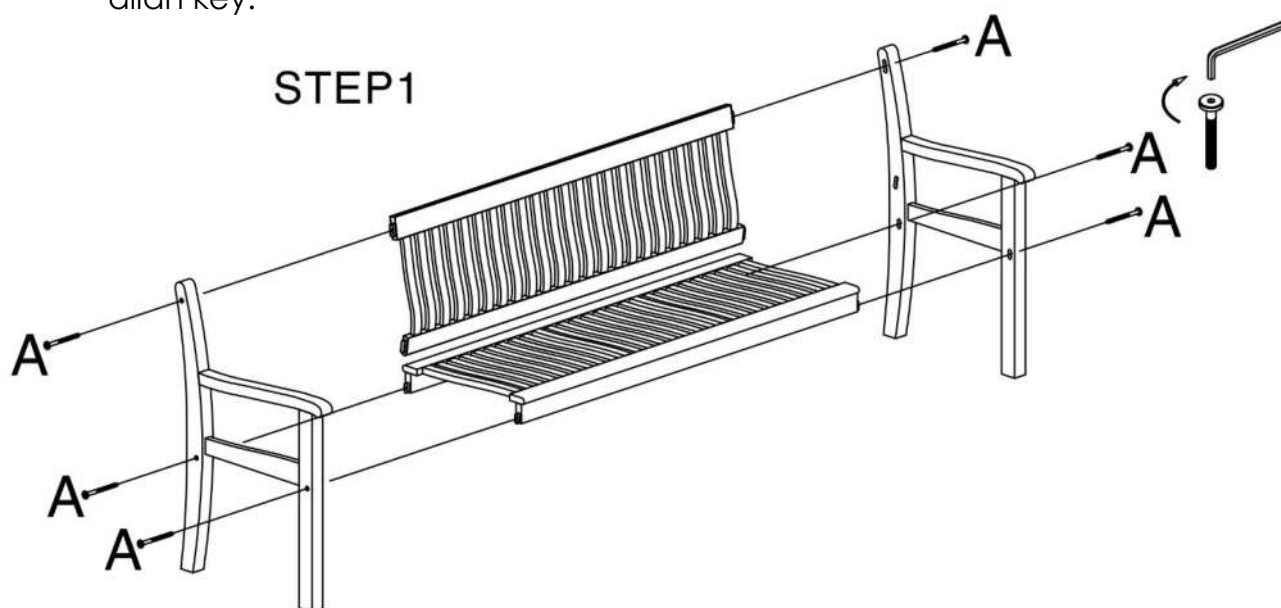
## Assembly

- Remove all parts from the box and dispose of all packaging correctly.
- Assemble on a flat level surface.
- We recommend that 2 people assemble this furniture.

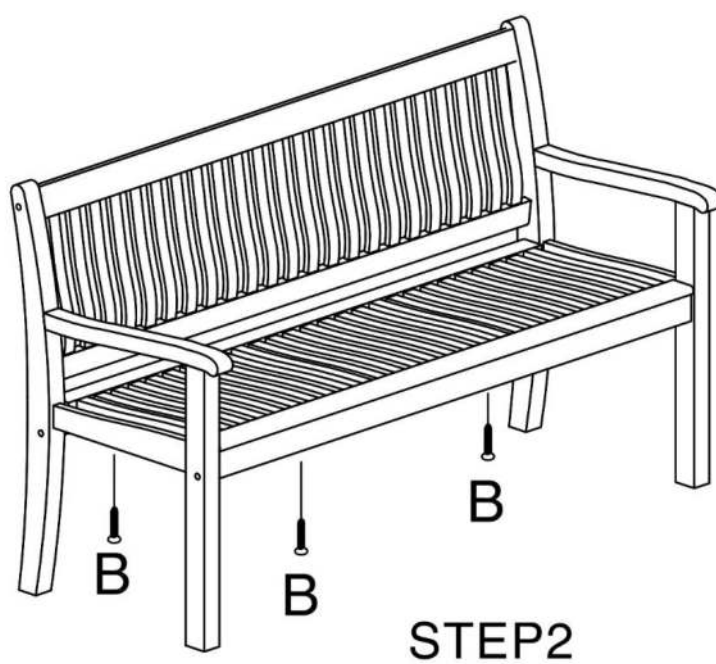
## Parts list

No.	HARDWARE LIST	Q.TY
A	 7x90x15	6 PCS
B	 4X30	3 PCS
I	 M4x78	2 PCS

1. Connect the arms of the bench to the seat using screws (A) and the allen key.



2. Fix the screws (B) in to the base of the bench.



## GUARANTEE

### IMPORTANT

**Please do not return this product without first calling the Customer Service number below:**

**0871 911 7031\***

Thank you for purchasing this product, which has been made to demanding high quality standards and is guaranteed for domestic use against manufacturing faults for a period of 12 months from the date of purchase.

Register your product for an extended 2-year warranty by visiting our website [www.gardengearonline.co.uk](http://www.gardengearonline.co.uk). The product must be registered, along with your contact information, within 30 days of purchase. For full terms and conditions please visit our website.

This guarantee does not affect your statutory rights. If your product fails due to a defect in material or workmanship during this period, please return it to the place of purchase. Normal wear and tear is not covered under the guarantee.

Any guarantee is invalid if the product has been misused or subject to neglect or an attempted repair other than by our own service centre.

Due to continuous product improvement, we reserve the right to change the product specification without prior notice.

#### **After Sales Customer Service:**

Customer Service Department, Branded Garden Products Ltd, Premier House, Hortonwood 7, Telford, TF1 7GP, UK

Telephone: 0871 911 7031\*

E-mail [customerservice@gardengearonline.co.uk](mailto:customerservice@gardengearonline.co.uk)

Please retain for future reference.  
Colours and contents may vary.

\*Calls cost 13p per minute plus your phone company's access charge